



*Where convenience and innovation meet.*

The Pop Up 100 is a new and impressive way to advertise. The design of the display ensures superior durability with little or no effort. When using the Pop Up 100, you will find that setup time is minimal and changing advertisements is easy. Take the Pop Up 100 anywhere you need a quick and simple marketing campaign.

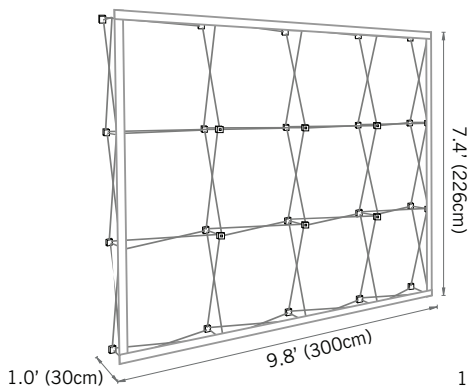
- Print can remain installed during shipping
- Two lights are included
- Replacing advertisements is quick and easy
- Sets up and folds down in seconds
- Convenient Travel Case with wheels



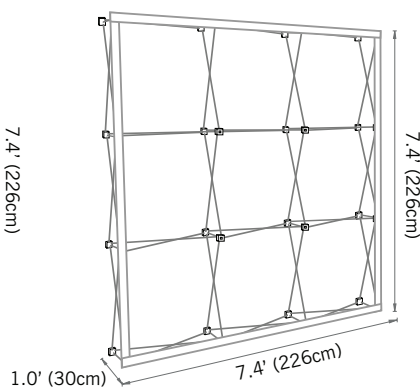
Instantly conceal the frame construction by ordering a larger print that extends around the sides of the Pop Up 100!



With the use of knitted polyester (7.1oz), you are able to collapse the Pop Up 100 without removing the print or creating countless wrinkles.



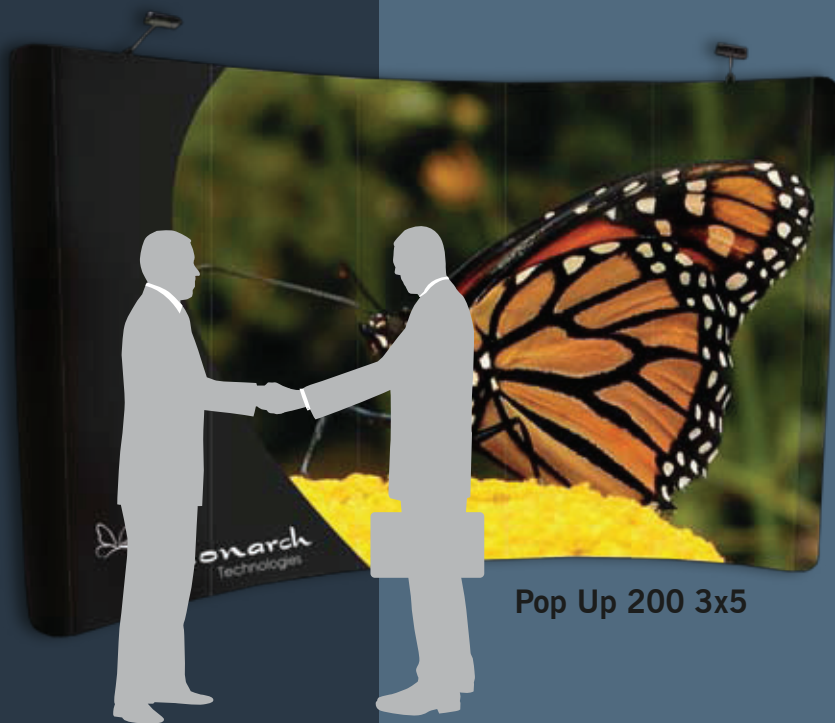
**Pop Up 100 3x4**



**Pop Up 100 3x3**

The Pop Up 100 achieves strength through its unique criss-cross structure. The support clips add stability and aid in the fast assembly.





Pop Up 200 3x5



Pop Up 200 3x4

*Where convenience and innovation meet.*

The Pop Up 200 combines the user-friendly features of a pop up display with the added ease of magnets. Its structure provides stability and is easy to assemble. The Travel Case allows you to transport the Pop Up 200 without the worry of leaving anything behind. Gain exposure with the Pop Up 200!

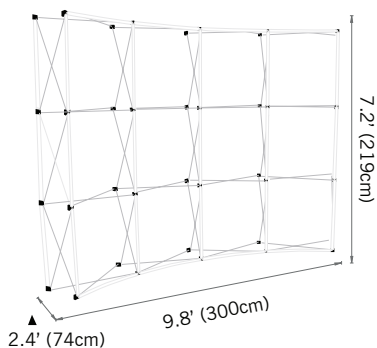
- Available in two sizes
- High resolution print
- Sets up and folds down in seconds
- Prints can easily be changed
- Convenient Travel Case with wheels



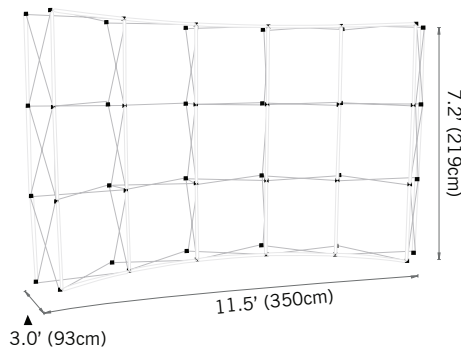
The magnetic strips on the Pop Up 200 allow the prints to attach and be replaced quickly.



The Pop Up 200 includes two lights to accent any message.



Pop Up 200 3x4



Pop Up 200 3x5

The Pop Up 200 is great for events and in showrooms. Pair the Pop Up 200 with the Counter 200 for a complete look.

